



Elliott 5.9
Class Association

Contact

Andrew Dinsdale
C/- KPMG
PO Box 996
Wellington

Phone: 04 802 1214
Fax: 04 802 1247

e-Mail: adinsdale@kpmg.co.nz

December 2004

Newsletter to Members

Greetings from Wellington

North Island Freshwater Champs 27th and 28th November 2004 – Turangi -

The North Island Champs were held at Turangi last weekend and formed the final regatta in the Sportsboat Series. We had a record number of entries - 20 in total with a strong turnout from Whangarei and Wellington. We also had Frivolous Fish from the top of the South Island - well done Steve Edwards for making the time.

Winter set in on the Friday prior to racing with snow on the Desert Road so you can imagine what the temperature was like for the Saturday racing. We experienced strong conditions and it was bloody cold to put it mildly. We got in four races on Saturday which was highlighted by a number of gear breakages. Bad luck to Slam Dunk who had a first in Race 1, and then a gooseneck exploding, damaging the mast meant they were out for the rest of the weekend. This opened up the opportunities and Zoot Allures came in strongly.

Sunday was sailed in perfect conditions (which helped to support the various hangovers); which reminds me the Pen Wig boys are not going to have the unit adjacent to the Saturday night barbeque which ends up being the party room. I understand from Brownie that the bunks in the Trophy are not too comfortable.

Results for the six races are as follows (Joan once again many thanks for your diligent recording of the results):

| Series Position | Sail No. | Boat Name | Race | | | | | | Total Score | Discard | Series Score |
|--------------------|----------|--------------------|------|----|----|----|----|----|----------------|---------|-----------------|
| | | | 1 | 2 | 3 | 4 | 5 | 6 | | | |
| 1st | T3143 | Zoot Allures | 2 | 3 | 13 | 1 | 2 | 1 | 22 | 13 | 9 |
| 2nd | T3629 | Elliot Ness | 10 | 1 | 4 | 7 | 1 | 4 | 27 | 10 | 17 |
| 3rd | T3935 | Lambada | 6 | 2 | 1 | 6 | 11 | 2 | 28 | 11 | 17 |
| 4th | T3976 | Icebreaker | 9 | 8 | 5 | 2= | 4 | 3 | 29 | 9 | 20 |
| 5th | T3231 | Cut Lunch | 13 | 4 | 3 | 4 | 6 | 6 | 36 | 13 | 23 |
| 6th | T3131 | Blurr | 11 | 9 | 7 | 2= | 3 | 5 | 35 | 11 | 24 |
| 7th | T3802 | Pen Wig & Ballcock | 3 | 5 | 2 | 11 | 7 | 14 | 42 | 14 | 28 |
| 8th | T3941 | Razorback | 4 | 6 | 10 | 15 | 10 | 11 | 56 | 15 | 41 |
| 9th | T3884 | Hobo | 7 | 21 | 6 | 13 | 9 | 7 | 63 | 21 | 42 |
| 10th | T3203 | Voodoo | 8 | 12 | 14 | 9 | 8 | 10 | 61 | 14 | 47 |
| 11th | T3580 | Elliot Goblit | 12 | 7 | 11 | 12 | 16 | 12 | 70 | 16 | 54 |
| 12th | T3744 | Frivolous Fish | 5 | 21 | 21 | 8 | 18 | 8 | 81 | 21 | 60 |
| 13th | T4032 | Animal Crackers | 21 | 10 | 8 | 14 | 15 | 15 | 83 | 21 | 62 |

| Series Position | Sail No. | Boat Name | Race | | | | | | Total Score | Discard | Series Score |
|--------------------|----------|-----------|------|----|----|----|----|----|----------------|---------|-----------------|
| | | | 1 | 2 | 3 | 4 | 5 | 6 | | | |
| 14th | T3146 | BRZO | 21 | 21 | 16 | 5 | 13 | 9 | 85 | 21 | 64 |
| 15th | T3747 | Bombtrack | 21 | 11 | 15 | 10 | 12 | 17 | 86 | 21 | 65 |
| 16th | T3760 | Sub 60 | 21 | 13 | 9 | 18 | 19 | 16 | 96 | 21 | 75 |
| 17th | T3590 | Tight Fit | 21 | 21 | 21 | 17 | 5 | 13 | 98 | 21 | 77 |
| 18th | T3673 | Spurt | 21 | 14 | 12 | 16 | 17 | 19 | 99 | 21 | 78 |
| 19th | T3700 | Slam Dunk | 1 | 21 | 21 | 21 | 21 | 21 | 106 | 21 | 85 |
| 20th | T3099 | Nevis | 21 | 21 | 21 | 21 | 14 | 18 | 116 | 21 | 95 |

Well done to Dave Cochran on Zoot Allures, a clear first placing overall with two firsts, a second and a third. Elliott Ness and Lambada came in second equal with consistent top placings. Once again a great weekend with excellent social activities. Thanks to Roger at the Creel.

Adding the Turangi results to the Sportsboat Series the overall position looks as follows:

| Series ranking | Boat name | Tauranga BOP Champs | Ends of the Island Whangarei | Auckland Champs | Rotorua Icebreaker | Turangi NI Champs | Total (best 3 races) |
|-------------------|-----------------------|---------------------------|------------------------------------|--------------------|-----------------------|----------------------|-------------------------|
| Position | Boat name | Line | Line | Line | Line | Line | |
| 1st | Slam Dunk | 20 | 19 | 19 | 20 | 2 | 59 |
| 2nd | Luxury Liner | 19 | | 20 | 18 | | 57 |
| 3rd | Zoot Alores | | 20 | | 16 | 20 | 56 |
| 4th | Elliott Ness | 18 | 16 | 14 | 13 | 19 | 53 |
| 5th | Hobo | | 18 | 17 | 14 | 12 | 49 |
| 6th | Cut Lunch | | 17 | 13 | 15 | 16 | 48 |
| 7th | Tight Fit | 16 | 15 | 12 | 8 | 4 | 43 |
| 8th | Pen Wig and Ballcock | | | 16 | 12 | 14 | 42 |
| 9th | Voodoo | | | 15 | 11 | 11 | 37 |
| 10th | Lambada (Manning) | | | | 19 | 18 | 37 |
| 11th | Animal Crackers | | 14 | 10 | 9 | 8 | 33 |
| 12th | Blurr | | | | 17 | 15 | 32 |
| 13th | Icebreaker | 15 | | | | 17 | 32 |
| 14th | Brzo | 17 | | | 7 | 7 | 31 |
| 15th | Spurt | 13 | | 10 | 6 | 3 | 29 |
| 16th | Sub 60 | | | 11 | 10 | 5 | 26 |
| 17th | Bombtrack | 14 | | | | 6 | 20 |
| 18th | Lambada (Wagstaff) | | | 18 | | | 18 |
| 19th | Slippery Slope | 12 | | | 5 | | 17 |
| 20th | Razorback | | | | | 13 | 13 |
| 21st | Elliott Gobblit | | | | | 10 | 10 |
| 22nd | Frivolous Fish | | | | | 9 | 9 |
| 23rd | Wtr Prf | | | | 4 | | 4 |
| 24th | Nevis | | | | | 1 | 1 |

Note

A high score system is used for calculating the series results, as follows: 1st place - 20 points, 2nd - 19 points, 3rd - 18 points ...20th or more - 1 point

Boats not racing score no points for that regatta

Best 3 scores out of 5 regattas, count towards the series result

Boats tied on equal points will be ranked in alphabetical order until the series is complete

Boats tied at the end of the series will be ranked using their NI Champs score as a tie-breaker

Boats must complete 3 regattas to qualify for the series

Congratulations to the Slam Dunk boys who have come in first overall - an excellent effort.

A big "thank you" to the organisers of the Regattas in each of the locations as well as Rob Gill for the part that he has played.

2005 Nationals

It's all go for Tauranga from Sunday 23 January 2005 to Friday 28 January 2005 at the Tauranga Yacht and Power Boat Club. The schedule of events is as follows:

| | | |
|-----------------------------|--------------|--------------------|
| Sunday, 23 January | Measurement | 0900 - 1700 hours |
| | Registration | 0900 - 1700 hours |
| | AGM | 1800 hours |
| Monday, 24 January | Briefing | 0830 hours |
| Thursday, 27 January | Prizegiving | Time to be advised |

Racing Schedule

Warning signal for Race 1 is 1125hrs on Monday, 24 January. On subsequent race days the warning signal for the first race of each day shall be at 1055 hrs. Up to 4 races are scheduled per day and a total of 12 races are scheduled. Reserve day is scheduled for Friday, 28 January.

Boats that need to be weighed will need to be at the Tauranga Bridge Marina Travel lift compound between 9.00am and 12.00pm on Sunday 23rd of January 2004.

Crew who would like lunches for the duration of the regatta week will need to have their lunch order forms to the event co-ordinator no later than 12.30pm on Sunday 23rd January 2005. The lunches will be \$20.00 per person for the week and will include a savoury, sandwich, a muffin and a piece of fruit. The lunches will be available before the boats leave the dock each morning.

You will already have received this week location map and order form for regatta clothing. I look forward to seeing as many people there as possible.

Remember that weighing will only be required for a small number of yachts which do not hold measurement certificates. Rig changes and new sails will need to be measured and there will be safety checks.

2005 Appleton Estate Rum E5.9 Travellers Series

The proposed dates and locations of the five regattas for 2005 which form the Sportsboat Series are as follows:

Event schedule:

| | | |
|---|----------------------|------------------|
| E5.9 and Sportsboat regatta (Held together with the Sportsboat Association) | Tauranga YC | 12/13th March |
| Ends of the Island Regatta (Held together with the Easter Trailer Sailor Nationals) | Evans Bay Wellington | 26/27th March |
| Auckland Champs (Held together with the Magic 25s) | Royal Akarana | 23/24th April |
| Rotorua Icebreaker | Rotorua YC | 8/9th October |
| North Island Champs | Stump Bay YC Turangi | 26/27th November |

Notice of race for the series will be available at the AGM in Tauranga.

Please note your diaries accordingly to ensure a strong turnout.

Trailer Skirts

Rob Gill wishes to thank members who have bought the skirts so far but he is disappointed that only 13 boats have done so. Rob has promised the sponsors great support from the Class, and expects 20 boats to wear these great skirts on the road to Tauranga. Please don't forget to send in your measurement and order form (attached to this newsletter).

Elliott 5.9 Moulds

Keith Hogan is currently finalising the purchase of the original Elliott 5.9 plans, moulds and intellectual property from Eagle Yachts New Zealand Limited and Ian Margan. We are hoping that these will be available in the New Year so that renewed manufacture of hull and decks can commence. We already have interest from one proposed owner. The Association is the purchaser and will charge a royalty to owners for the use of the moulds. More news should be available at the Nationals in Tauranga.

See you in Tauranga.

Happy Summer Sailing

Regards

A handwritten signature in black ink, appearing to read 'Andrew J Dinsdale'.

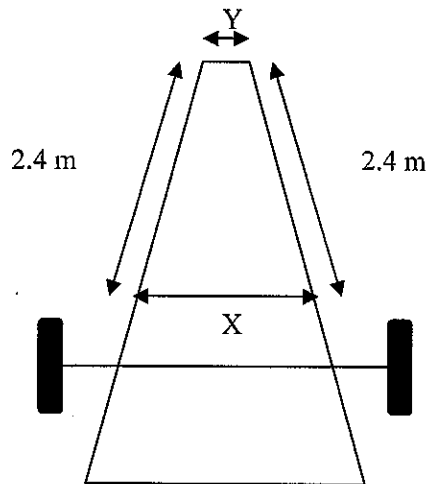
Andrew J Dinsdale (Dins)
President

Ordering your E5.9 Trailer Skirt

Measure 2.4m along the side beams starting from where the side beams meet the center beam. This point should be where the front of the boat is and where the winch is. Mark these 2 points.

Measure across the trailer from these 2 points and this will be measurement X.

Measure point Y. The width of the center beam.



Name:

Boat name:

Address:

Phone number Wk:

Hm:

Mob:

Send the above details with a \$50 cheque (North Sails NZ Ltd) to:

Derek Scott

One Design Manager

North Sails NZ Ltd

PO Box 37419, Parnell, Auckland.

Pakenham Street, Viaduct Basin, Auckland.

Ph 0064 9 3595999

Mob 0064 21 1297821

Fax 0064 9 359 5995

derek@nz.northsails.com